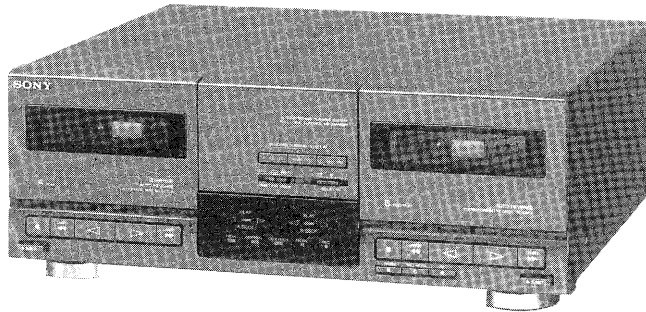



TC-D507

SERVICE MANUAL

*AEP Model
UK Model
E Model
Australian Model
East European Model*



• This set is the deck section in LBT-D507/D507CD/D507CDM.

Dolby noise reduction manufactured under license from Dolby Laboratories Licensing Corporation. "DOLBY" and the double-D symbol  are trademarks of Dolby Laboratories Licensing Corporation.

Model Name Using Similar Mechanism	TC-H1600
Tape Transport Mechanism Type	DECK A : TCM-190RA12C
	DECK B : TCM-190RB22C

SPECIFICATIONS

Recording system	4-track 2-channel stereo
Frequency response	DOLBY NR OFF With Type IV cassette (Sony METAL-ES) 30 Hz to 15 kHz (± 3 dB) With Type II cassette (Sony UX-S) 40 Hz to 14 kHz (± 3 dB) With Type I cassette (Sony HF-S) 40 Hz to 14 kHz (± 3 dB)
Wow and flutter	± 0.2 % (DIN)
Weight	Approx. 3.4 kg
Dimensions	Approx. 355 \times 131 \times 304 mm (w/h/d, including projections)

Design and specifications are subject to change without notice.

Note

This appliance conforms with EEC Directive 87/308/EEC regarding interference suppression.



CASSETTE DECK
SONY®

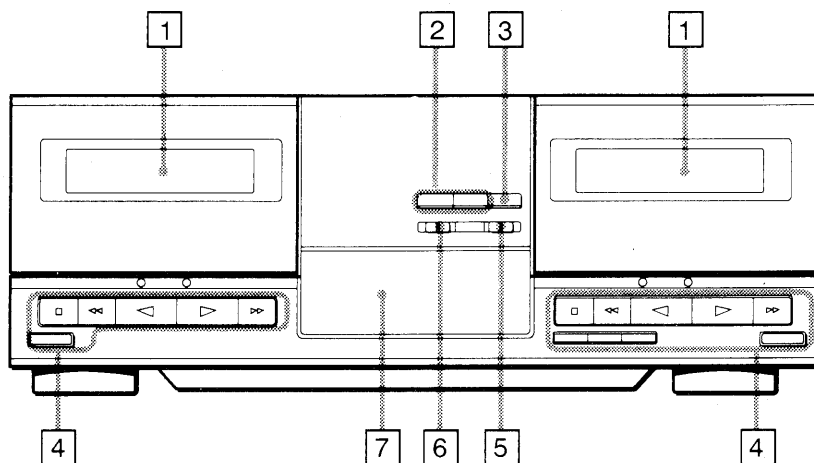
TABLE OF CONTENTS

<u>Section</u>	<u>Title</u>	<u>Page</u>
SECTION 1.	GENERAL	3
SECTION 2.	DISASSEMBLY	4
SECTION 3.	MECHANICAL ADJUSTMENTS	6
SECTION 4.	ELECTRICAL ADJUSTMENTS	6
SECTION 5.	DIAGRAMS	
5-1.	Circuit Boards Location	10
5-2.	Semiconductor Lead Layouts	10
5-3.	Printed Wiring Boards	11
5-4.	Schematic Diagrams	15
SECTION 6.	EXPLODED VIEWS	
6-1.	Overall Section	19
6-2.	Front Panel Section	20
6-3.	Mechanism-1 Section	21
6-4.	Mechanism-2 Section	22
SECTION 7.	ELECTRICAL PARTS LIST	23

SECTION 1 GENERAL

Location of Controls

This section is extracted
from instruction manual.



- 1 Cassette holders
- 2 SYNCHRO DUBBING buttons (44)
- 3 CD SYNCHRO button (48)
- 4 Tape operation buttons
 - ◀◀ Leftward fast winding/AMS*,
 - ▶▶ Rightward fast winding/AMS*,
 - ▶ Forward play, ◀ Reverse play,
 - Stop, ▲ Eject, || Pause (deck B only),
 - Record muting (deck B only),
 - Record (deck B only)
- 5 DOLBY NR (noise reduction) switch (36)
- 6 DIRECTION MODE selector (32, 36, 44, 48)
- 7 Display window

* AMS is the abbreviation of Automatic Music Sensor.

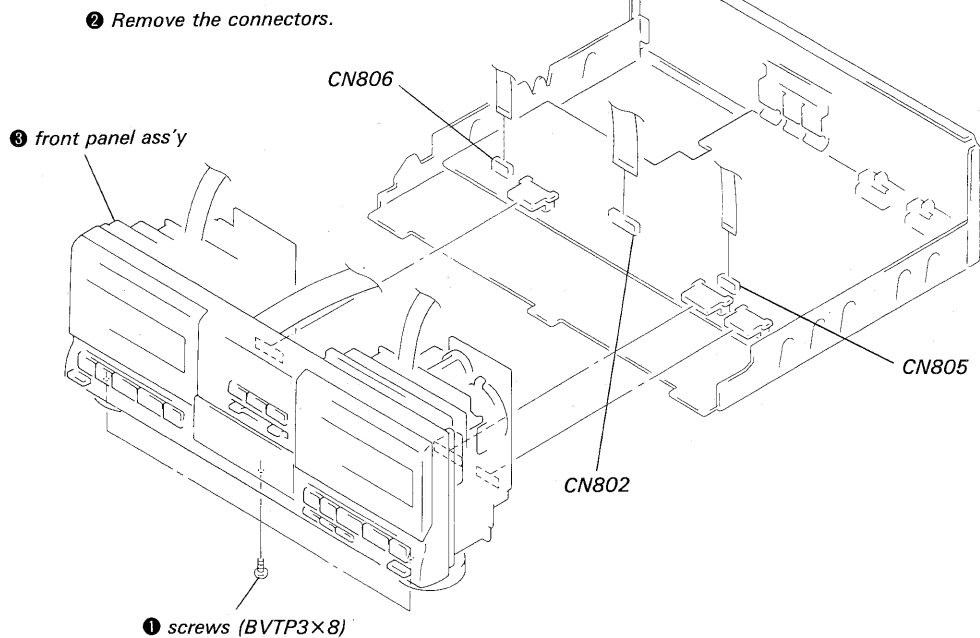
SECTION 2 DISASSEMBLY

NOTE: Follow the disassembly procedure in the numerical order given.

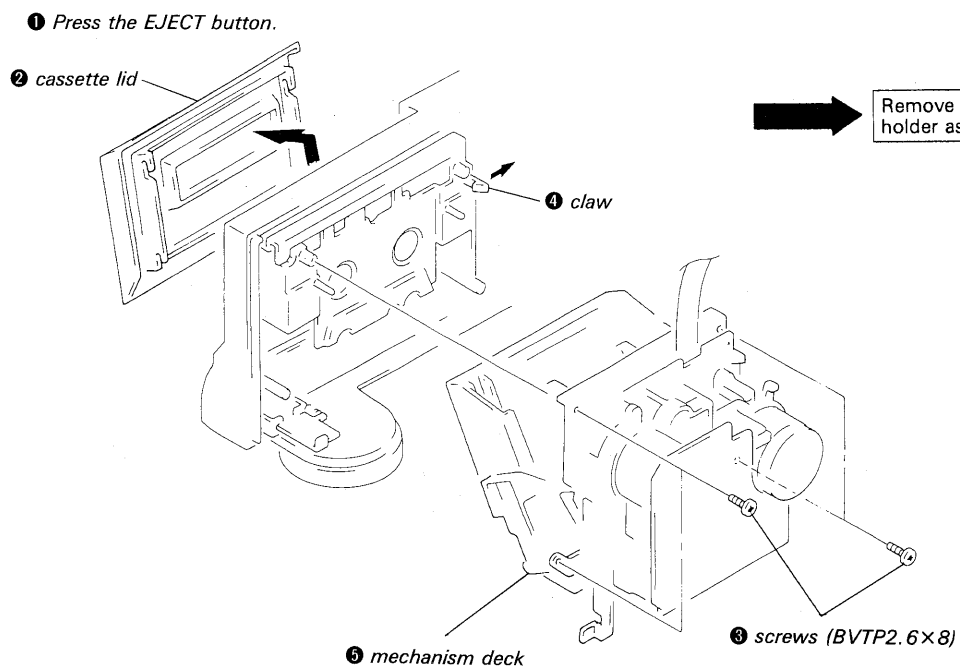
CASE

Unscrew the four case attachment screws M3×8 and remove the case.

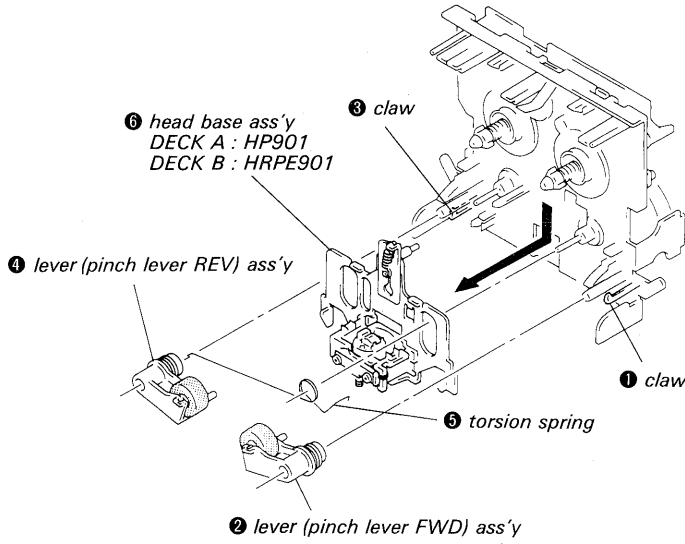
FRONT PANEL



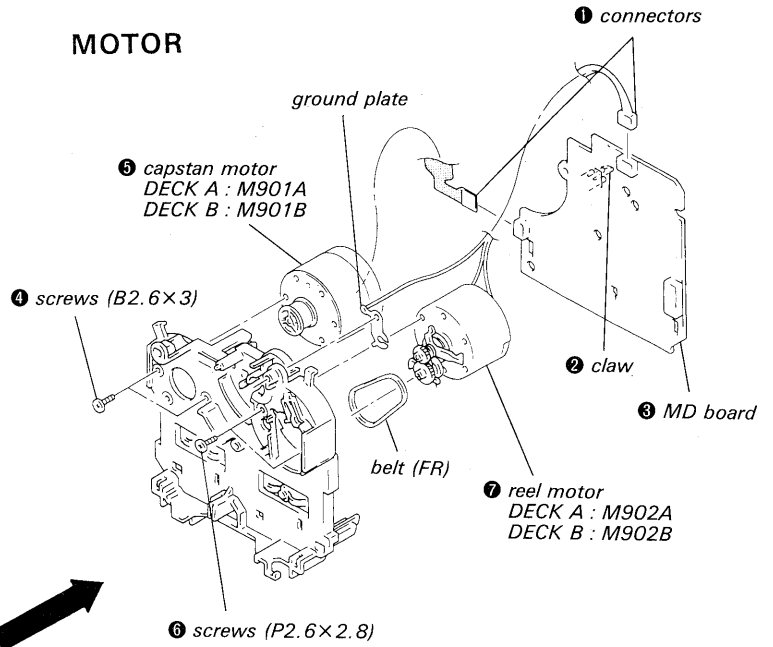
MECHANISM DECK



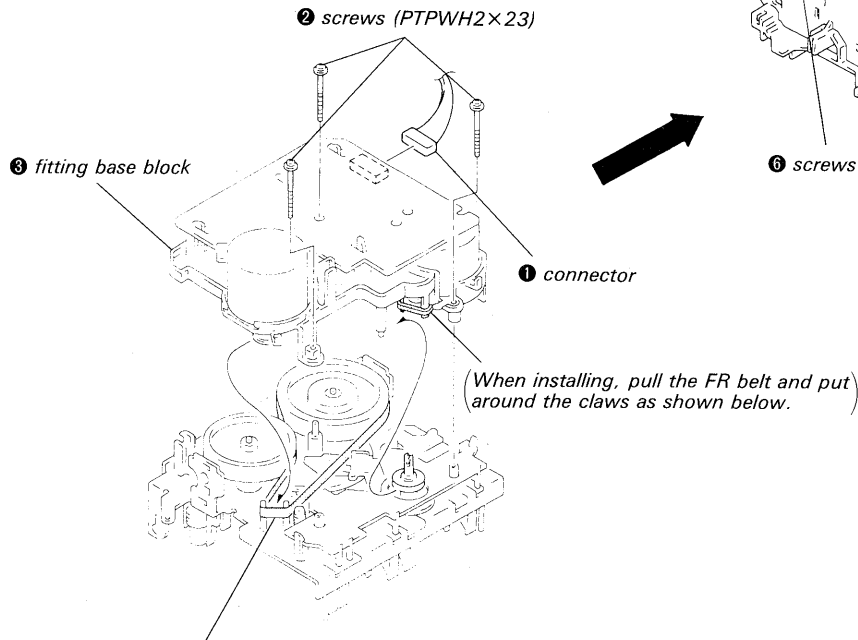
HEAD



MOTOR



FITTING BASE BLOCK



(When installing, pull the capstan belt and put around the claws as shown below.)

SECTION 3 MECHANICAL ADJUSTMENTS

PRECAUTION

1. Clean the following parts with a denatured-alcoholmoistened swab;
 - record/playback/erase head
 - pinch roller rubber belts
 - capstan idler
2. Demagnetize the record/playback head with a head demagnetizer.
(Head demagnetizer do not approach for the erase head.)
3. Do not use a magnetized screwdriver for the adjustments.
4. After the adjustments, apply suitable locking compound to the parts adjusted.
5. The adjustments should be performed in the rated power supply voltage unless otherwise noted.

Torque Measurement

Torque	Torque meter	Meter reading
FWD	CQ-102C	35 to 60g · cm (0.49 to 0.83 oz · inch)
FWD Back tension	CQ-102C	2 to 6g · cm (0.03 to 0.08 oz · inch)
REV	CQ-102RC	35 to 60g · cm (0.49 to 0.83 oz · inch)
REV Back tension	CQ-102RC	2 to 6g · cm (0.03 to 0.08 oz · inch)
FF, REW	CQ-201B	70 to 110g · cm (0.98 to 1.52 oz · inch)

SECTION 4 ELECTRICAL ADJUSTMENTS

Note: The adjustment should be performed in the order given in the service manual. As a rule, adjustment about playback should be performed before adjustment about recording. The adjustments should be performed for both L-CH and R-CH.

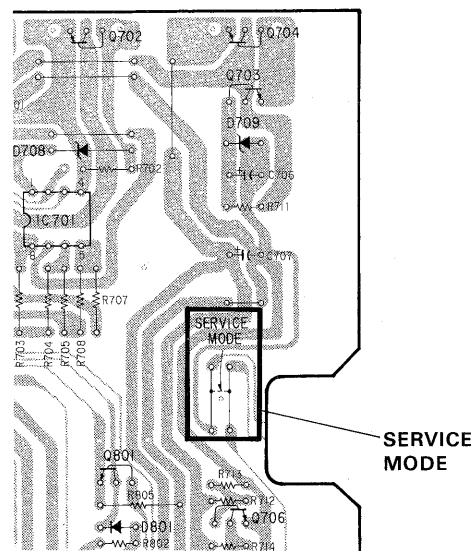
● Test Mode

The Test mode is activated by shorting Test Point Service mode (IC801 64 pin changes over to "L") with the POWER switch in OFF position, then turning on the POWER switch.

In this mode, the following functions operate:

1. Source monitor
Line mute is cancelled during recording.
2. High speed playback
High speed playback is executed when the HIGH SPEED (DUBBING) button is pressed during playback. Normal speed playback is restored when the button is pressed again.
3. Record memory
The tape counter is reset to "0" at the record start point. After adjustment, open the Service mode to cancel the Test mode.

[MAIN BOARD] (CONDUCTOR SIDE)

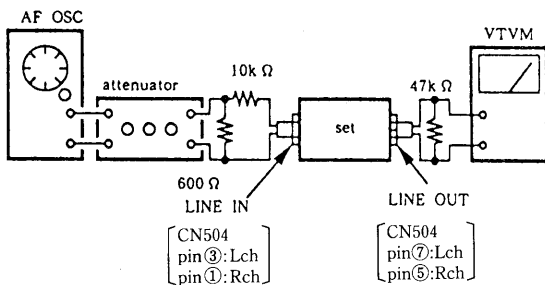


- Switches and controls should be set as follows unless otherwise specified.

NR switch : OFF
DIR MODE switch : ⇄

- Standard Record:
Deliver the standard input signal level to the input jack and set the REC LEVEL control to obtain the standard output signal level.

– Record Mode –



Standard Input Level

input terminal	LINE IN
source impedance	10kΩ
input level	0.25V (-10dB)

Standard Output Level

output terminal	LINE OUT
load impedance	47kΩ
output level	0.44V (-5dB)

Test tape

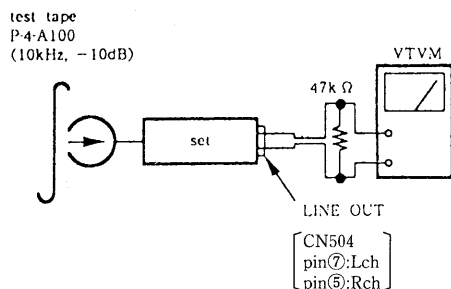
Type	Signal	Used for
P-4-A100	10kHz, -10dB	Azimuth Adjustment
P-4-L300	315Hz, 0dB	PB Level Adjustment
WS-48B	3kHz, 0dB	Tape Speed Adjustment

Record/Playback Head Azimuth Adjustment

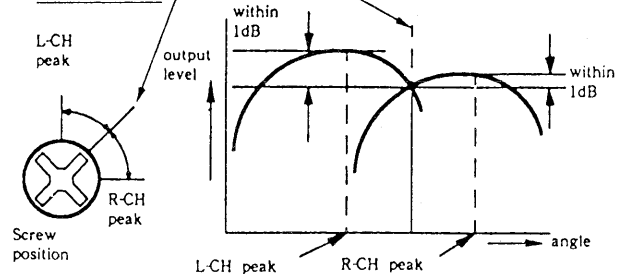
DECK A DECK B

Procedure :

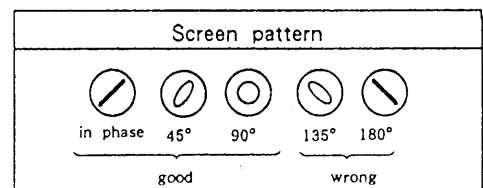
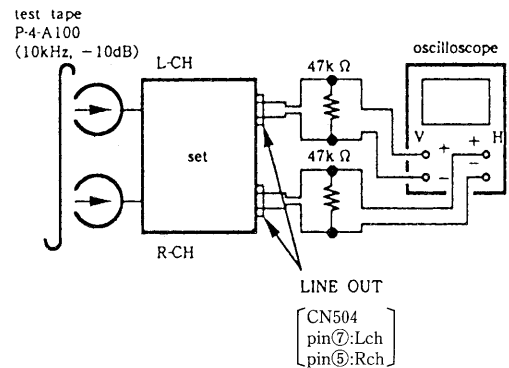
1. Mode: FWD playback



2. Turn the adjustment screw for the maximum output levels. If these levels do not match, turn the adjustment screw until both of output levels match together within 1dB.

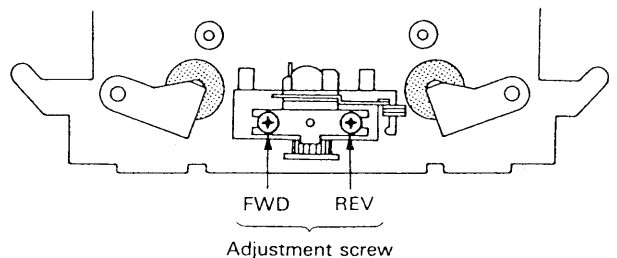


3. Phase Check
Mode: playback



4. Set in the REV mode and repeat the step 1-3.
5. After the adjustment, lock the screws with locking compound.

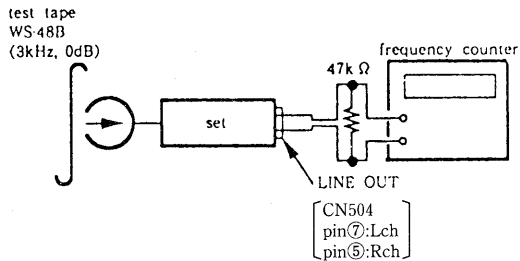
Adjustment Location : Record/playback head



Tape Speed Adjustment DECK A DECK B

Procedure :

Mode: playback



Perform high speed adjustment before normal speed adjustment.

(High speed adjustment)

1. Continue pressing the SYNCHRO DUBBING HIGH SPEED switch.
2. Check that frequency counter reading is within the standard value $6,000 \pm 60\text{Hz}$.
3. If out of the standard, adjust each RV72 so that the frequency counter reading satisfies $6,000 \pm 60\text{Hz}$ on both A and B decks.
4. Change over to Rev playback status, and repeat the above steps 1 to 3.

(Normal speed adjustment)

1. Continue pressing the SYNCHRO DUBBING NORM SPEED switch.
2. Check that the frequency counter reading is within the standard value $3,000 \pm 30\text{Hz}$.
3. If out of the standard, adjust each RV71 so that the frequency counter reading satisfies $3,000 \pm 30\text{Hz}$ on both A and B decks.
4. Change over to REV playback status, and repeat the above steps 1 to 3.

Frequency difference between the beginning and the end of the tape should be within 3%.

Frequency difference between deck A and deck B the beginning of the tape should be within 1.0%.

Adjustment Location :

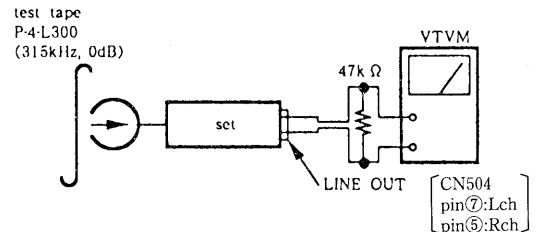
MD-A, MD-B board

Playback Level Adjustment

DECK A DECK B

Procedure :

Mode: playback



Adjust RV11 (L-CH), RV21 (R-CH) so that the reading on VTVM meets the adjustment limits below.

Adjustment Limits :

LINE OUT level: $-7.7 \pm 0.5\text{dB}$ (0.30–0.33V)

Level difference between channels: less than 0.5dB

Check that the LINE OUT level does not change in playback mode while changing the mode from playback to stop several times.

Adjustment Location : MD-A, MD-B board

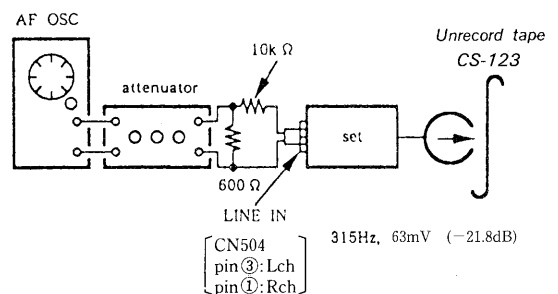
Record Bias Adjustment DECK B

Setting :

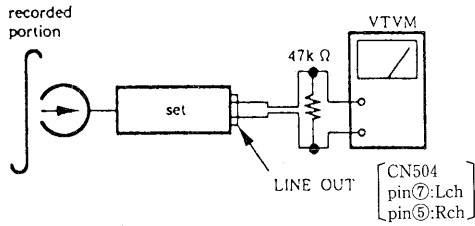
REC LEVEL control : Standard Record (See page 7).

Procedure :

1. Mode : record



2. Mode : playback



Playback the signal recorded in step 1.
 Confirm that the 10kHz playback output is $0 \pm 0.5\text{dB}$ relative to the 315Hz output. If necessary, adjust RV12 (L-CH), RV22 (R-CH) and repeat the steps given above.

Adjustment Location : MD-B board

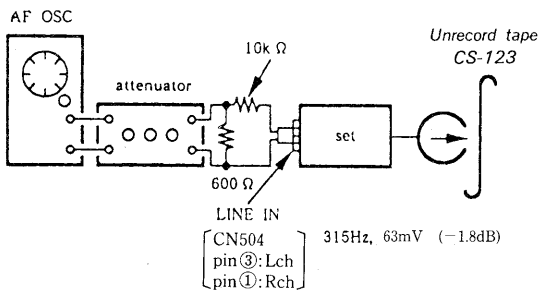
Record Level Adjustment **DECK B**

Setting :

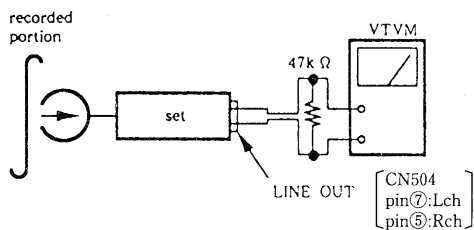
REC LEVEL control : Standard Record (See page 7).

Procedure :

1. Mode: record



2. Mode: playback



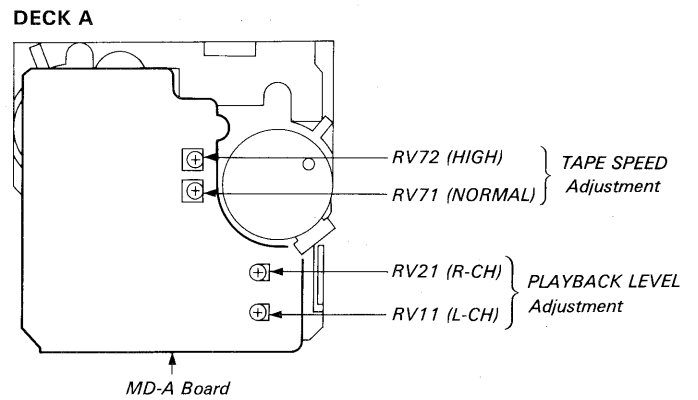
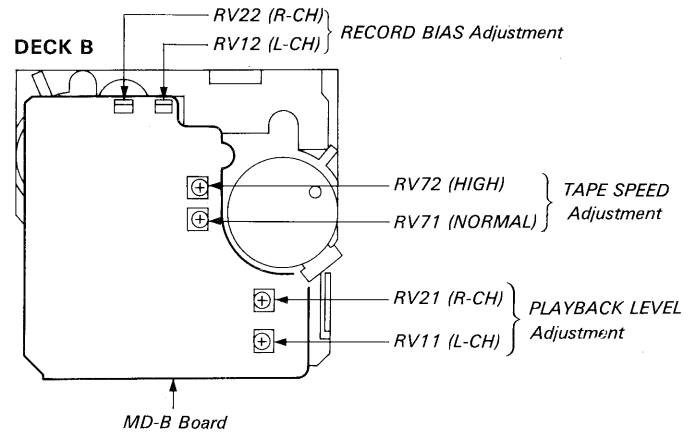
3. Playback the signal recorded in step 1.

Confirm that the signal level is within the adjustment limits below. If necessary, adjust RV101 (L-CH), RV201 (R-CH) and repeat the step 1-2.

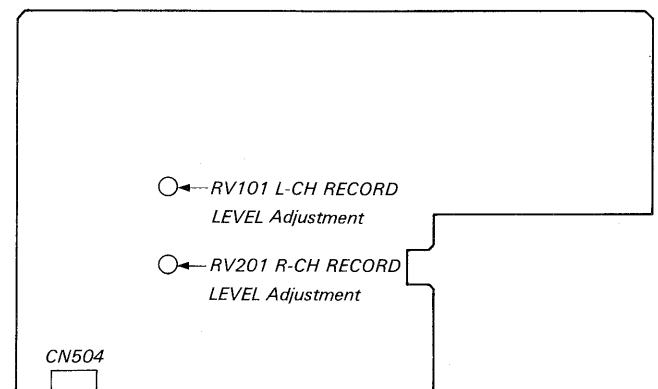
Adjustment Limits : $-3.8\text{dB} \pm 0.5\text{dB}$ (0.47-0.53V)

Adjustment Location : MAIN board (component side)

- Adjustment Parts Location Diagrams -

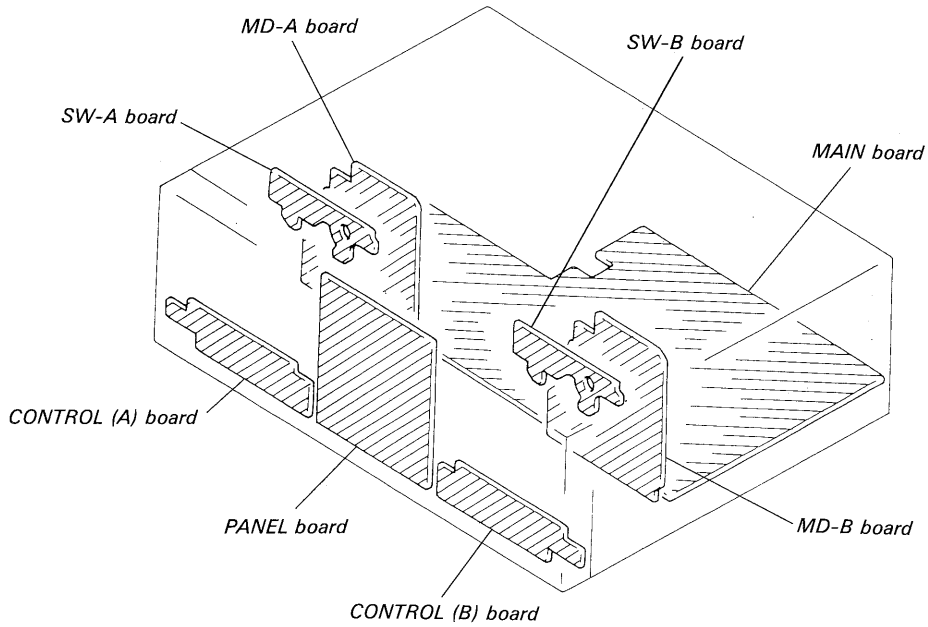


MAIN BOARD (COMPONENT SIDE)

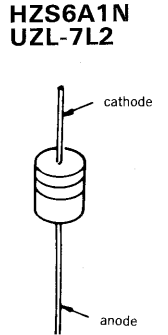
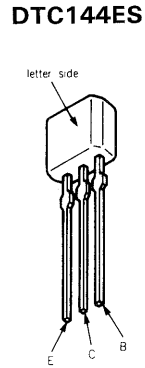
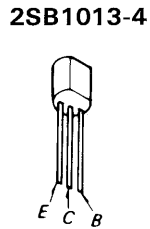
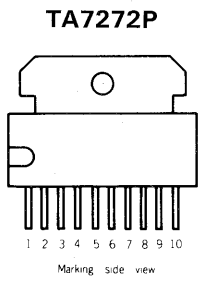


SECTION 5 DIAGRAMS

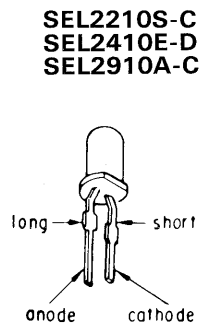
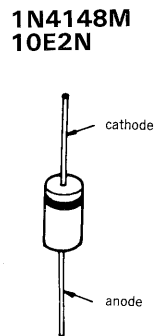
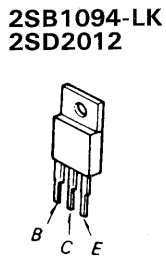
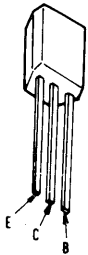
5-1. CIRCUIT BOARDS LOCATION



5-2. SEMICONDUCTOR LEAD LAYOUTS



**2SA1317-STU
2SC2603-EF
DTA114ES
DTA144ES
DTC143TS**



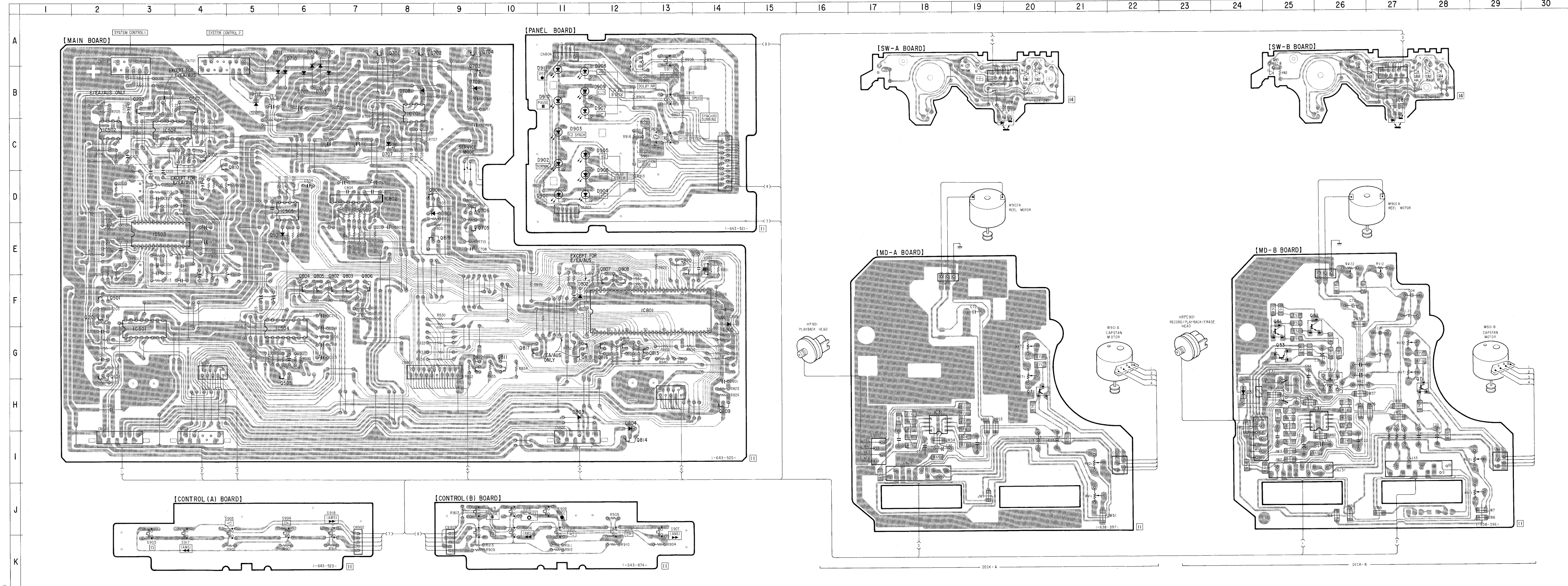
5-3. PRINTED WIRING BOARDS

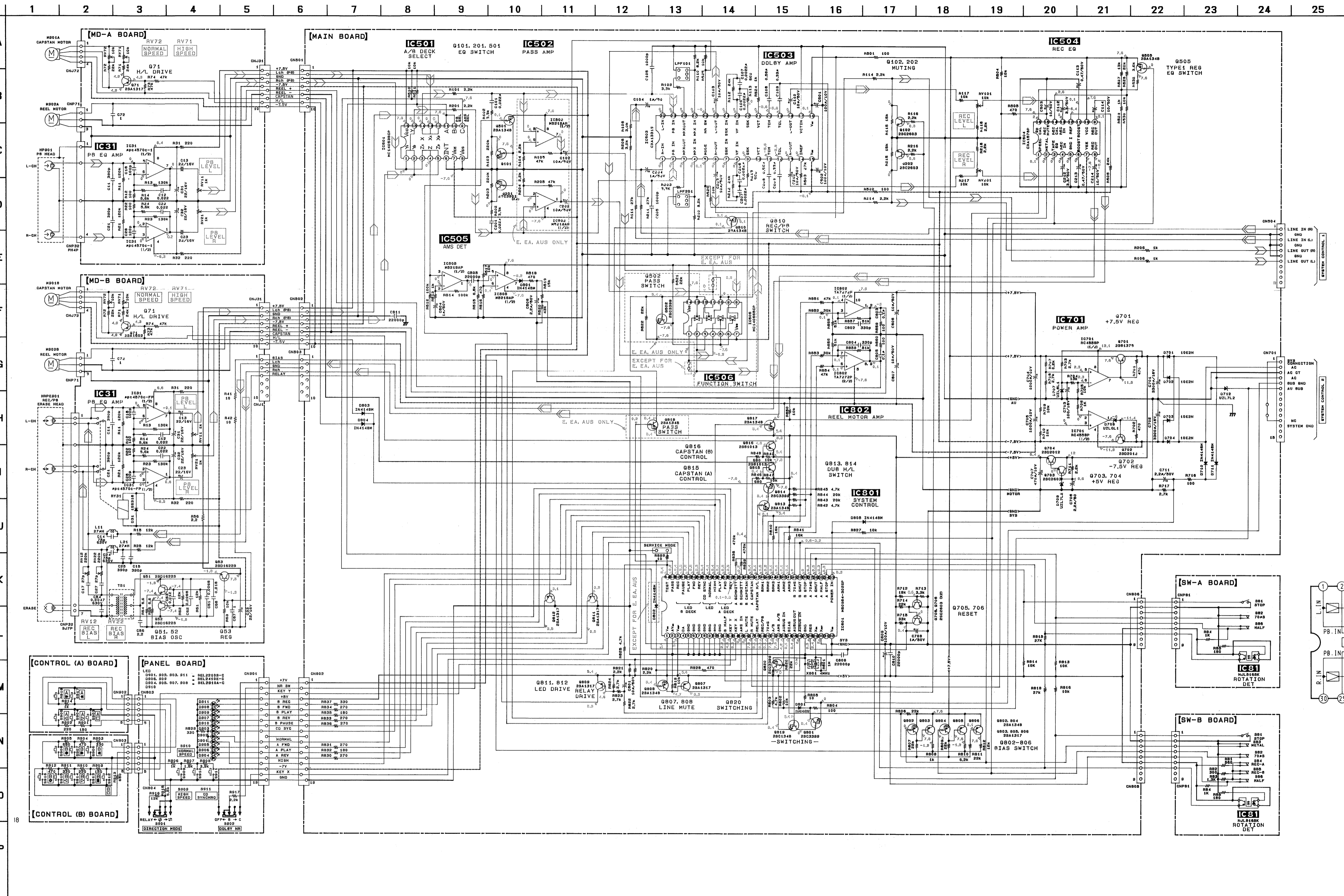
● Semiconductor Location

Ref. No.	Location	Ref. No.	Location
D31	H-24	Q51	G-25
D501	E-6	Q52	G-25
D701	B-6	Q53	G-25
D702	B-6	Q71(MD-A)	H-20
D703	B-6	Q71(MD-B)	H-28
D704	B-6	Q101	G-2
D707	C-8	Q102	C-4
D708	B-8	Q201	F-2
D709	B-9	Q202	B-3
D710	B-6	Q501	F-2
D711	B-5	Q502	B-4
D712	B-5	Q505	G-6
D801	D-9	Q701	A-8
D802	F-11	Q702	A-8
D803	H-11	Q703	B-9
D804	H-12	Q704	A-9
D805	F-14	Q705	E-9
D901	D-11	Q706	D-9
D902	C-11	Q801	D-9
D903	C-11	Q802	F-7
D904	D-11	Q803	F-7
D905	C-11	Q804	F-6
D906	D-11	Q805	F-6
D907	B-11	Q806	F-7
D908	B-11	Q807	F-12
D909	B-11	Q808	F-12
D910	B-11	Q809	H-14
D911	B-11	Q810	C-4
		Q811	G-10
IC31(MD-A)	H-19	Q812	G-9
IC31(MD-B)	H-26	Q813	G-13
IC81(SW-A)	B-20	Q814	I-12
IC81(SW-B)	B-27	Q815	G-12
IC501	G-3	Q816	G-12
IC502	C-2	Q817	G-10
IC503	E-3	Q818	G-11
IC504	G-6	Q819	E-9
IC505	D-6	Q820	E-13
IC506	C-3		
IC701	B-8		
IC801	F-13		
IC802	D-6		

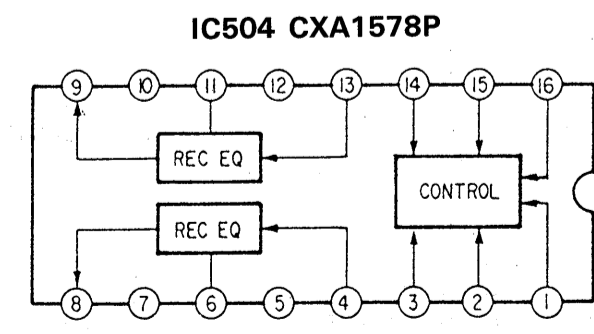
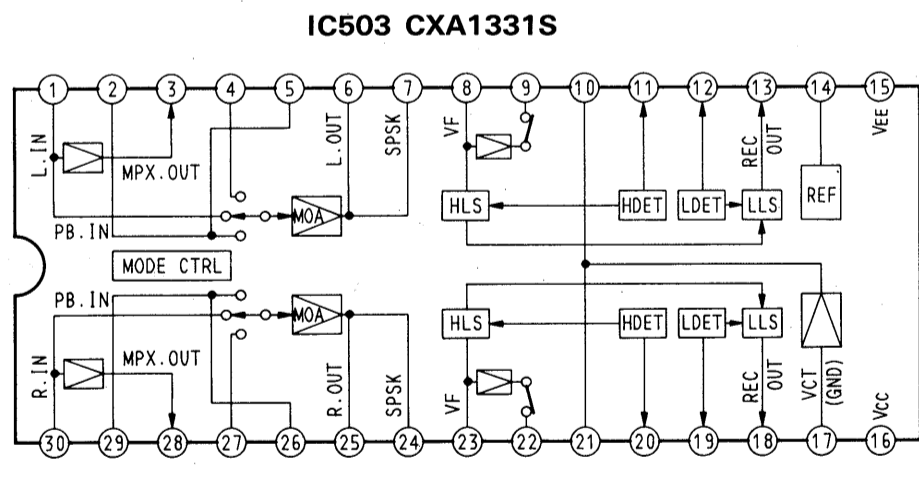
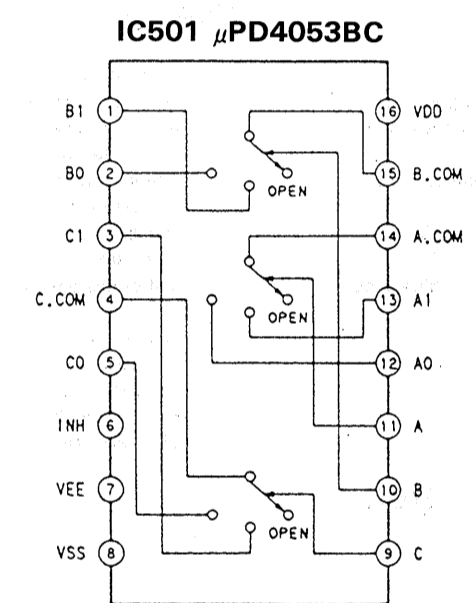
Note:
● : parts extracted from the component side.

EA: Saudi Arabia
AUS: Australian





• IC Block Diagrams



- Note:**
- All capacitors are in μF unless otherwise noted. pF: μF 50WV or less are not indicated except for electrolytics and tantalums.
 - All resistors are in Ω and $\frac{1}{2}\text{W}$ or less unless otherwise specified.
 - Δ : internal component.
 - \ominus : B+ Line
 - \ominus : B- Line
 - \square : adjustment for repair.
 - Voltage is dc with respect to ground under no-signal (detuned) conditions. no mark: REC
 - Voltages are taken with a VOM (input Impedance 10M Ω). Voltage variations may be noted due to normal production tolerances.
 - Signal path.
 - \curvearrowright : PB (DECK A)
 - \curvearrowright : PB (DECK B)
 - \curvearrowright : REC (DECK B)

EA: Saudi Arabia
 AUS: Australian

SECTION 6 EXPLODED VIEWS

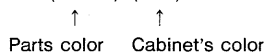
NOTE:

• -XX, -X mean standardized parts, so they may have some differences from the original one.

• Color Indication of Appearance Parts

Example:

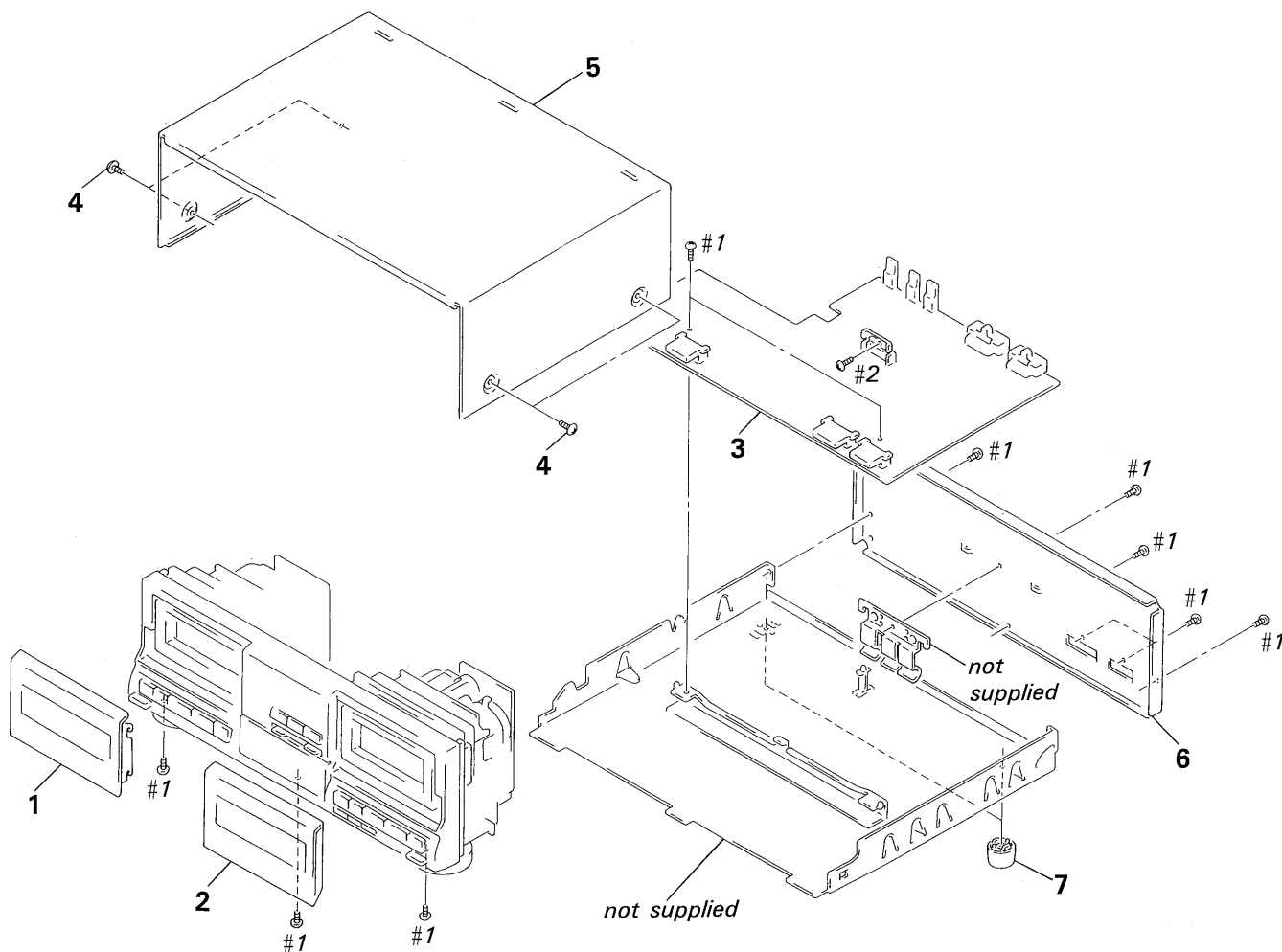
KNOB, BALANCE(WHITE)...(RED)



- Items marked " * " are not stocked since they are seldom required for routine service. Some delay should be anticipated when ordering these items.
- The mechanical parts with no reference number in the exploded views are not supplied.
- hardware (#mark) list is given in the last of this parts list.

G : Germany
IT : Italian
EE : East European
EA : Saudi Arabia
AUS : Australian

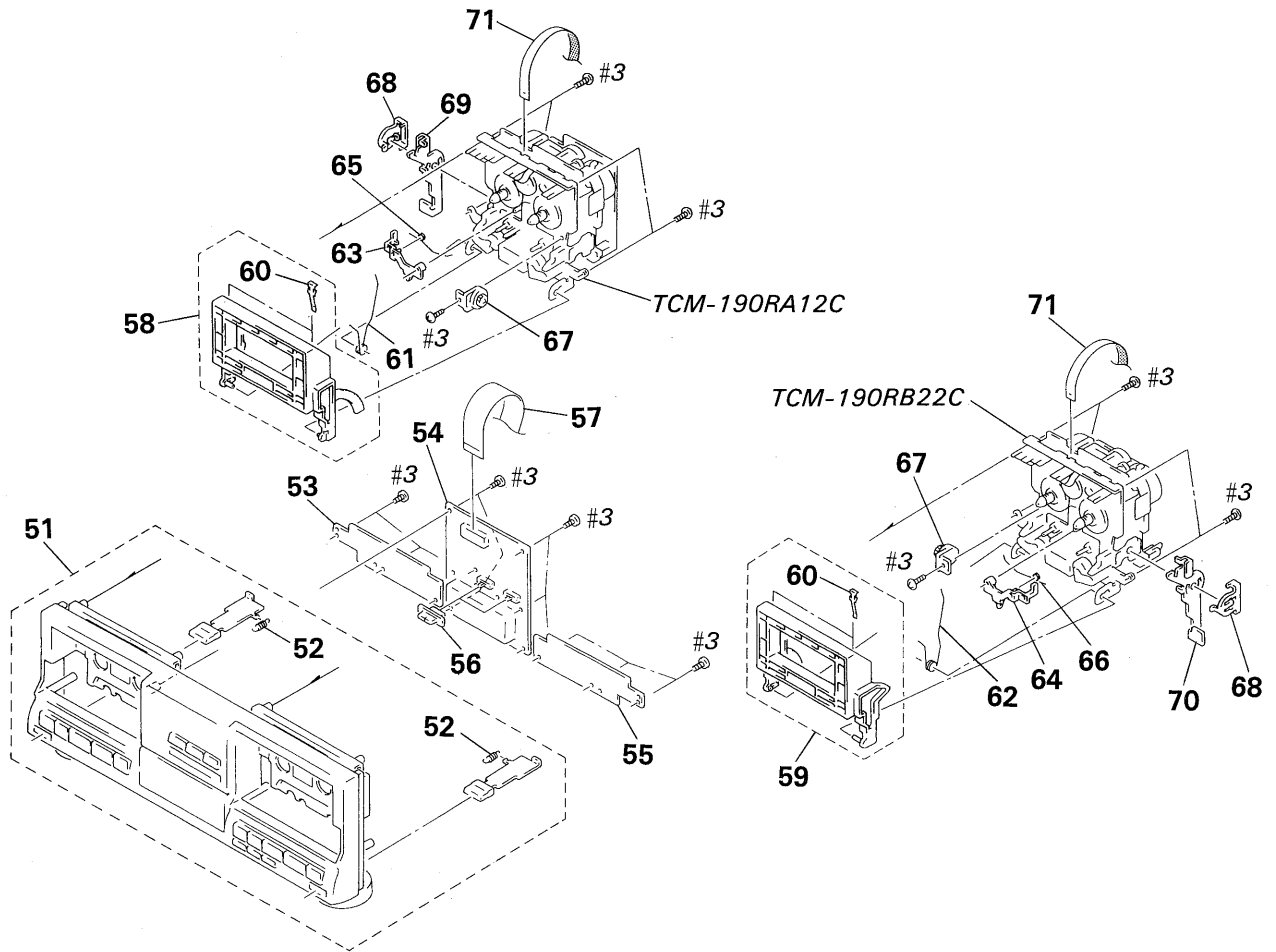
6-1. OVERALL SECTION



Ref. No.	Part No.	Description	Remark
1	X-3364-710-1	LID (A) ASSY, CASSETTE (AEP, G, EE, UK, E, EA, AUS)	
1	X-3364-711-1	LID (A) ASSY, CASSETTE (IT)	
2	X-3364-712-1	LID (B) ASSY, CASSETTE (AEP, G, EE, UK, E, EA, AUS)	
2	X-3364-713-1	LID (B) ASSY, CASSETTE (IT)	
* 3	A-2006-741-A	MAIN BOARD, COMPLETE (AEP, G, IT, EE, UK)	

Ref. No.	Part No.	Description	Remark
* 3	A-2006-742-A	MAIN BOARD, COMPLETE (E, EA, AUS)	
4	3-363-099-01	SCREW (CASE +3X8 TP2)	
* 5	4-939-803-31	CASE (AEP, G, EE, UK, E, EA, AUS)	
* 5	4-939-803-71	CASE (IT)	
* 6	3-377-136-11	PANEL, BACK (AEP, IT, EE, UK, E, EA, AUS)	
* 6	3-377-136-21	PANEL, BACK (G)	
7	4-931-169-01	FOOT	

6-2. FRONT PANEL SECTION

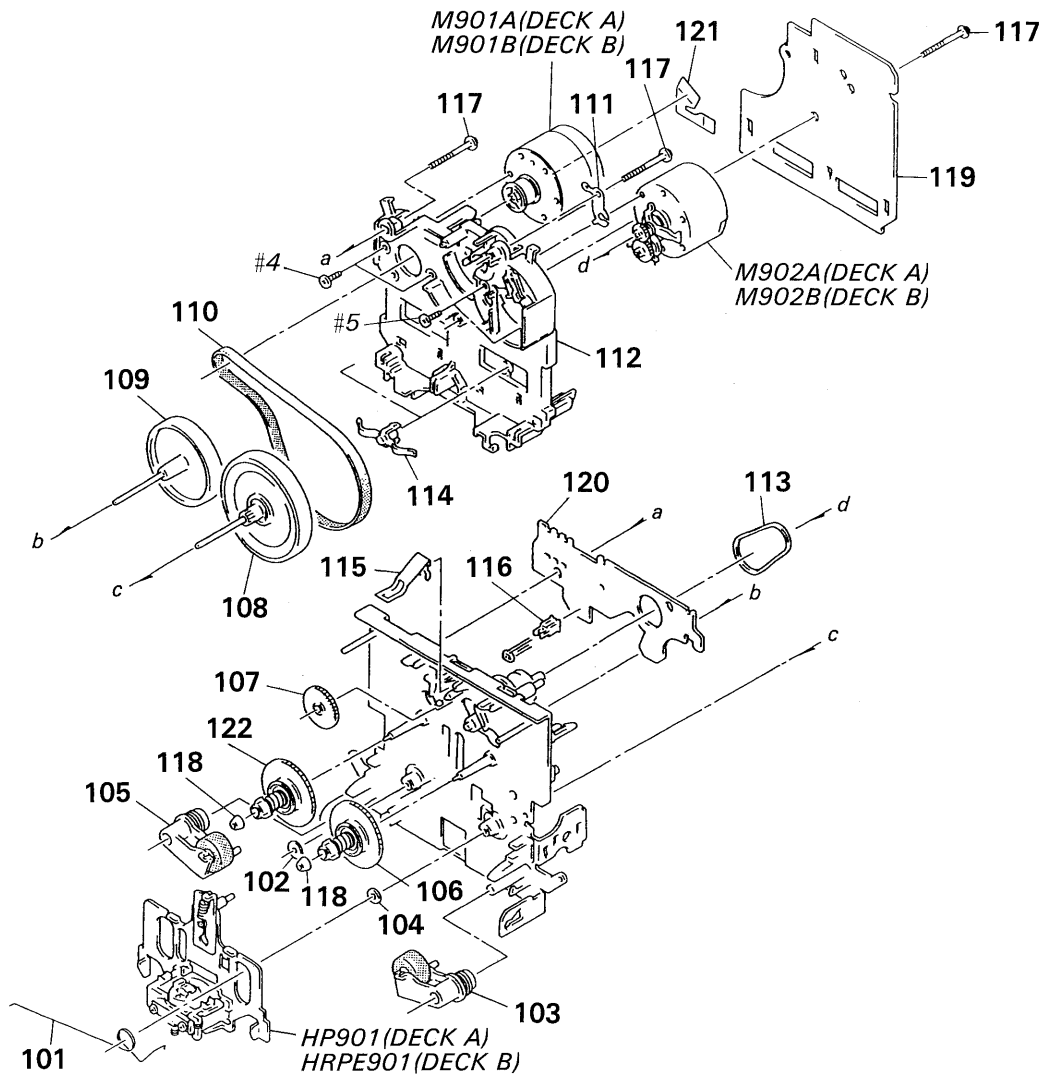


Ref. No.	Part No.	Description	Remark
51	X-3364-706-1	PANEL ASSY, FRONT (AEP, G, EE, UK, E, EA, AUS)	
51	X-3364-707-1	PANEL ASSY, FRONT (IT)	
52	3-662-752-21	SPRING, TENSION	
* 53	1-643-523-11	CONTROL (A) BOARD	
* 54	1-643-521-11	PANEL BOARD	
* 55	1-643-874-11	CONTROL (B) BOARD	
56	3-377-110-01	KNOB (SLIDE) (AEP, G, EE, UK, E, EA, AUS)	
56	3-377-110-11	KNOB (SLIDE) (IT)	
57	1-590-237-11	WIRE, FLAT TYPE (19 CORE)	
58	X-3340-194-1	HOLDER (L) ASSY, CASSETTE	
59	X-3340-195-1	HOLDER (R) ASSY, CASSETTE	
60	3-308-823-11	SPRING	

Ref. No.	Part No.	Description	Remark
61	3-354-959-01	SPRING (LOADING L), TORSION	
62	3-354-960-01	SPRING (LOADING R), TORSION	
63	3-354-955-01	LEVER (EJ SAFTY LEVER L)	
64	3-354-956-01	LEVER (EJ SAFTY LEVER R)	
65	3-354-961-01	SPRING (EJ SAFTY SPRING L)	
66	3-354-962-01	SPRING (EJ SAFTY SPRING R)	
67	3-354-963-01	DAMPER	
68	3-354-957-01	JOINT (LOCK LEVER)	
* 69	3-363-638-01	LEVER (LOCK LEVER L)	
* 70	3-363-639-01	LEVER (LOCK LEVER R)	
71	1-690-906-11	WIRE (FLAT TYPE) (9 CORE)	

6-3. MECHANISM SECTION 1

(TCM-190RA12C)
(TCM-190RB22C)

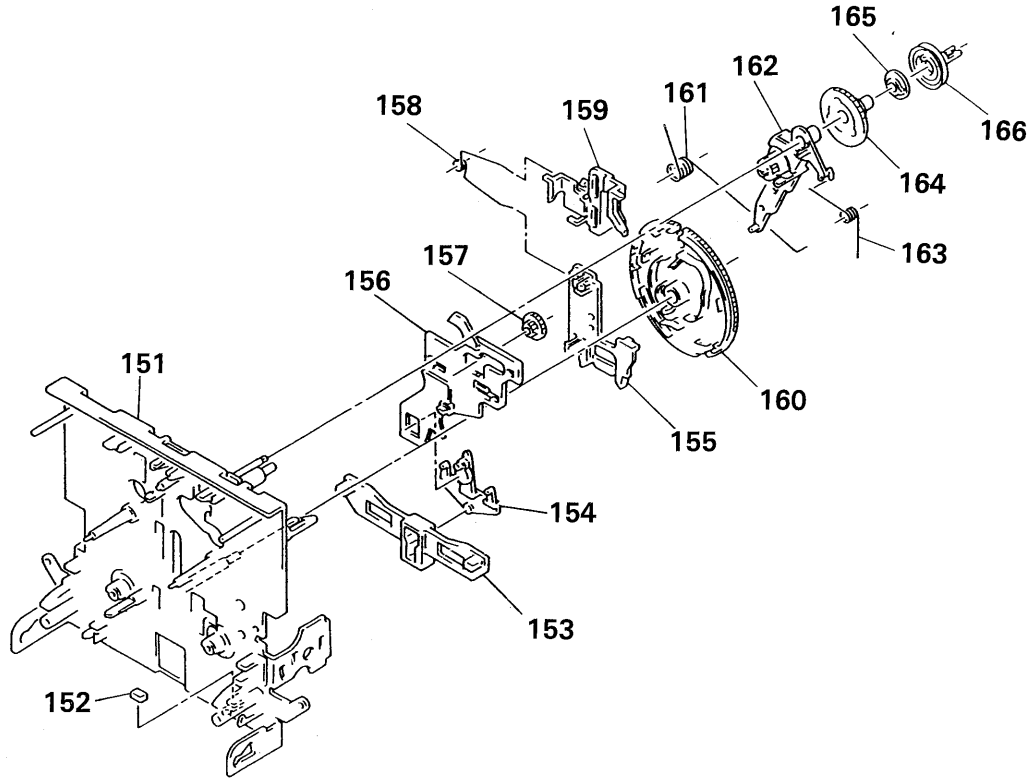


Ref. No.	Part No.	Description	Remark
101	3-359-455-01	SPRING, TORSION	
102	3-356-714-01	WASHER	
103	X-3359-408-1	LEVER (PINCH LEVER FWD) ASSY	
104	3-356-713-01	WASHER	
105	X-3359-409-1	LEVER (PINCH LEVER REV) ASSY	
106	X-3359-404-1	TABLE ASSY, REEL	
107	3-359-424-01	GEAR (REV GEAR)	
108	X-3359-406-1	FLYWHEEL (FWD) COMPLETE ASSY (DECK A)	
108	X-3364-554-1	FLYWHEEL (FWD) ASSY (DECK B)	
109	X-3359-410-1	FLYWHEEL (REV) ASSY	
110	3-359-417-01	BELT (FLAT), CAPSTAN	
111	3-359-450-01	PLATE, GROUND	
* 112	3-359-436-01	BASE (THRUST RETAINER), FITTING	
113	3-359-466-01	BELT (FR), SQUARE	
114	3-575-321-00	RETAINER, THRUST, CAPSTAN	
115	3-359-430-01	SPRING (CASSETTE RETAINER), LEAF	

Ref. No.	Part No.	Description	Remark
116	3-343-419-01	HOLDER (S SENSER A)	
117	3-359-414-01	SCREW (+PTPWH 2X23)	
118	3-362-308-01	CAP (REEL)	
* 119	A-2006-399-A	MD-A BORAD, COMPLETE (DECK A)	
* 119	A-2006-400-A	MD-B BOARD, COMPLETE (DECK B)	
* 120	1-634-841-14	SW-A BOARD (DECK A)	
* 120	1-634-841-14	SW-B BOARD (DECK B)	
121	1-638-983-11	MOTOR FLEXIBLE BOARD	
122	X-3362-078-1	TABLE ASSY (B), REEL	
HP901	A-2003-837-A	BASE ASSY, HEAD (PB) (DECK A)	
	HRPE901A-2003-838-A	BASE ASSY, HEAD (REC/PB/ERASE) (DECK B)	
M901A	X-3359-417-1	MOTOR ASSY (CAPSTAN) (DECK A)	
M901B	X-3359-417-1	MOTOR ASSY (CAPSTAN) (DECK B)	
M902A	X-3363-501-1	MOTOR ASSY (REEL) (DECK A)	
M902B	X-3363-501-1	MOTOR ASSY (REEL) (DECK B)	

6-4. MECHANISM SECTION 2

(TCM-190RA12C)
(TCM-190RB22C)



Ref. No.	Part No.	Description	Remark
151	X-3363-790-1	CHASSIS ASSY, MECHANICAL (DECK A)	
151	X-3359-415-1	CHASSIS ASSY, MECHANICAL (DECK B)	
152	3-359-469-01	SPACER	
* 153	3-359-425-01	SLIDER (REVERSE SLIDER)	
154	3-359-426-01	LEVER (REVERSE LEVER)	
* 155	3-359-427-01	SLIDER (LEVERSE SLIDER)	
* 156	3-359-415-01	SLIDER (TRIGGER SLIDER)	
157	3-359-448-01	GEAR (TRIGGER)	
158	3-359-454-01	SPRING, TORSION	

Ref. No.	Part No.	Description	Remark
159	3-359-429-01	SLIDER (BRAKE PLATE)	
160	3-359-420-01	GEAR (CAM GEAR)	
161	3-359-456-01	SPRING (TRIGGER SPRING), TORSION	
162	X-3359-405-1	LEVER (FR ARM) ASSY	
163	3-359-453-01	SPRING (FR ARM), TORSION	
164	3-359-419-01	GEAR (FR GEAR)	
165	3-359-421-01	CLUTCH (REEL DISK)	
166	3-359-418-01	PULLEY (FR PULLEY)	

SECTION 7 ELECTRICAL PARTS LIST

MAIN PANEL

CONTROL (A) CONTROL (B)

NOTE:

- Due to standardization, replacements in the parts list may be different from the parts specified in the diagrams or the components used on the set.
- -XX, -X mean standardized parts, so they may have some differences from the original one.
- RESISTORS
All resistors are in ohms
METAL: Metal-film resistor
METAL OXIDE: Metal Oxide-film resistor
F: nonflammable

- Items marked " * " are not stocked since they are seldom required for routine service. Some delay should be anticipated when ordering these items.
- SEMICONDUCTORS
In each case, u: μ , for example:
uA...: μ A..., uPA...: μ PA...,
uPB...: μ PB..., uPC...: μ PC...,
uPD...: μ PD...
- CAPACITORS
uF: μ F
- COILS
uH: μ H
- G : Germany
IT : Italian
EE : East European

EA : Saudi Arabia
AUS : Australian

When indication parts by reference number, please include the board name.

The components identified by mark or dotted line with mark are critical for safety. Replace only with part number specified.

Les composants identifiés par une marque sont critiques pour la sécurité. Ne les remplacer que par une pièce portant le numéro spécifié.

Ref. No.	Part No.	Description	Remark
*	A-2006-741-A	MAIN BOARD, COMPLETE (AEP, G, IT, EE, UK)	

*	A-2006-742-A	MAIN BOARD, COMPLETE (E, EA, AUS)	

*	1-643-521-11	PANEL BOARD	

*	1-643-523-11	CONTROL (A) BOARD	

*	1-643-874-11	CONTROL (B) BOARD	

*	3-377-119-01	HOLDER, LED	
*	4-942-204-01	PLATE, GROUND	
	7-685-645-79	SCREW +BVTP 3X6 TYPE2 N-S	
< CAPACITOR >			
C101	1-136-157-00	FILM 0.022uF 5% 50V	
C102	1-126-059-11	ELECT 10uF 20% 50V (E, EA, AUS)	
C103	1-126-059-11	ELECT 10uF 20% 50V	
C104	1-126-301-11	ELECT 1uF 20% 50V	
C105	1-162-294-31	CERAMIC 0.001uF 10% 50V	
C106	1-130-475-00	MYLAR 0.0022uF 5% 50V	
C107	1-130-475-00	MYLAR 0.0022uF 5% 50V	
C108	1-136-174-00	FILM 0.56uF 5% 50V	
C109	1-136-171-00	FILM 0.33uF 5% 50V	
C110	1-126-059-11	ELECT 10uF 20% 50V	
C112	1-126-162-11	ELECT 3.3uF 20% 50V	
C113	1-126-300-11	ELECT 0.47uF 20% 50V	
C114	1-126-059-11	ELECT 10uF 20% 50V	
C201	1-136-157-00	FILM 0.022uF 5% 50V	
C202	1-126-059-11	ELECT 10uF 20% 50V (E, EA, AUS)	
C203	1-126-059-11	ELECT 10uF 20% 50V	
C204	1-126-301-11	ELECT 1uF 20% 50V	
C205	1-162-294-31	CERAMIC 0.001uF 10% 50V	
C206	1-130-475-00	MYLAR 0.0022uF 5% 50V	
C207	1-130-475-00	MYLAR 0.0022uF 5% 50V	

Ref. No.	Part No.	Description	Remark
C208	1-136-174-00	FILM 0.56uF 5% 50V	
C209	1-136-171-00	FILM 0.33uF 5% 50V	
C210	1-126-059-11	ELECT 10uF 20% 50V	
C212	1-126-162-11	ELECT 3.3uF 20% 50V	
C213	1-126-300-11	ELECT 0.47uF 20% 50V	
C214	1-126-059-11	ELECT 10uF 20% 50V	
C501	1-124-994-11	ELECT 100uF 20% 10V	
C502	1-124-994-11	ELECT 100uF 20% 10V	
C503	1-126-059-11	ELECT 10uF 20% 50V	
C504	1-126-301-11	ELECT 1uF 20% 50V	
C505	1-161-494-00	CERAMIC 0.022uF 25V	
C506	1-126-161-11	ELECT 2.2uF 20% 50V	
C701	1-124-887-00	ELECT 3300uF 20% 16V	
C702	1-124-887-00	ELECT 3300uF 20% 16V	
C703	1-126-101-11	ELECT 100uF 20% 16V	
C704	1-124-473-11	ELECT 1000uF 20% 10V	
C705	1-124-473-11	ELECT 1000uF 20% 10V	
C706	1-126-161-11	ELECT 2.2uF 20% 50V	
C707	1-124-472-11	ELECT 470uF 20% 10V	
C708	1-126-301-11	ELECT 1uF 20% 50V	
C711	1-126-161-11	ELECT 2.2uF 20% 50V	
C801	1-126-059-11	ELECT 10uF 20% 50V	
C802	1-162-288-31	CERAMIC 330PF 10% 50V	
C803	1-136-165-00	FILM 0.1uF 5% 50V	
C804	1-162-288-31	CERAMIC 330PF 10% 50V	
C805	1-136-165-00	FILM 0.1uF 5% 50V	
C806	1-126-059-11	ELECT 10uF 20% 50V	
C807	1-126-059-11	ELECT 10uF 20% 50V	
C808	1-161-494-00	CERAMIC 0.022uF 25V	
C809	1-124-994-11	ELECT 100uF 20% 10V	
C810	1-161-494-00	CERAMIC 0.022uF 25V	
C811	1-161-494-00	CERAMIC 0.022uF 25V	

MAIN

PANEL

CONTROL (A)

CONTROL (B)

Ref. No.	Part No.	Description	Remark
< CONNECTOR >			
* CN501	1-580-784-11	CONNECTOR, BOARD TO BOARD	
* CN502	1-580-784-11	CONNECTOR, BOARD TO BOARD	
* CN503	1-580-784-11	CONNECTOR, BOARD TO BOARD	
* CN504	1-566-858-41	SOCKET, CONNECTOR 11P (SYSTEM CONTROL 1)	
* CN701	1-566-859-11	SOCKET, CONNECTOR 15P (SYSTEM CONTROL 2)	
CN802	1-568-802-11	SOCKET, CONNECTOR 19P	
* CN803	1-691-670-11	CONNECTOR, BOARD TO BOARD 5P	
* CN804	1-691-670-11	CONNECTOR, BOARD TO BOARD 5P	
* CN805	1-568-828-11	SOCKET, CONNECTOR 9P	
* CN806	1-568-828-11	SOCKET, CONNECTOR 9P	
* CN901	1-568-862-11	SOCKET, CONNECTOR 19P	
* CN902	1-691-746-11	CONNECTOR, BOARD TO BOARD 5P	
* CN903	1-691-746-11	CONNECTOR, BOARD TO BOARD 5P	
< DIODE >			
D501	8-719-987-63	DIODE 1N4148M	
D701	8-719-200-77	DIODE 10E2N	
D702	8-719-200-77	DIODE 10E2N	
D703	8-719-200-77	DIODE 10E2N	
D704	8-719-200-77	DIODE 10E2N	
D707	8-719-933-33	DIODE HZS6A1L	
D708	8-719-933-33	DIODE HZS6A1L	
D709	8-719-000-78	DIODE UZL-7L2	
D710	8-719-987-63	DIODE 1N4148M	
D711	8-719-987-63	DIODE 1N4148M	
D712	8-719-000-78	DIODE UZL-7L2	
D801	8-719-987-63	DIODE 1N4148M	
D802	8-719-987-63	DIODE 1N4148M (AEP, G, IT, EE, UK)	
D803	8-719-987-63	DIODE 1N4148M	
D804	8-719-987-63	DIODE 1N4148M	
D805	8-719-987-63	DIODE 1N4148M	
D901	8-719-301-38	LED SEL2210S-C (HIGH)	
D902	8-719-301-38	LED SEL2210S-C (NORMAL)	
D903	8-719-301-38	LED SEL2210S-C (CD SYNCH)	
D904	8-719-302-41	LED SEL2910A-C (A FWD)	
D905	8-719-302-41	LED SEL2910A-C (A REV)	
D906	8-719-301-44	LED SEL2410E-D (A STOP)	
D907	8-719-302-41	LED SEL2910A-C (B FWD)	
D908	8-719-302-41	LED SEL2910A-C (B REV)	
D909	8-719-301-44	LED SEL2410E-D (B STOP)	
D910	8-719-302-41	LED SEL2910A-C (PAUSE)	
D911	8-719-301-38	LED SEL2210S-C (REC)	
< IC >			
IC501	8-759-140-53	IC uPD4053BC	
IC502	8-759-634-51	IC M5218AP, (E, EA, AUS)	
IC503	8-752-059-55	IC CXA1331S	

Ref. No.	Part No.	Description	Remark
IC504	8-752-055-61	IC CXA1578P	
IC505	8-759-634-51	IC M5218AP	
IC506	8-759-000-49	IC MC14066BCP (E, EA, AUS)	
IC701	8-759-945-58	IC RC4558P	
IC801	8-759-061-69	IC M50964-302SP	
IC802	8-759-207-05	IC TA7272P	
< FILTER >			
LPF101	1-236-087-11	FILTER, LOW PASS	
LPF201	1-236-087-11	FILTER, LOW PASS	
< TRANSISTOR >			
Q101	8-729-900-74	TRANSISTOR DTC143TS	
Q102	8-729-620-05	TRANSISTOR 2SC2603-EF	
Q201	8-729-900-74	TRANSISTOR DTC143TS	
Q202	8-729-620-05	TRANSISTOR 2SC2603-EF	
Q501	8-729-900-61	TRANSISTOR DTA114ES	
Q502	8-729-900-89	TRANSISTOR DTC144ES (E, EA, AUS)	
Q505	8-729-900-65	TRANSISTOR DTA144ES	
Q701	8-729-141-83	TRANSISTOR 2SB1094-LK	
Q702	8-729-209-15	TRANSISTOR 2SD2012	
Q703	8-729-620-05	TRANSISTOR 2SC2603-EF	
Q704	8-729-209-15	TRANSISTOR 2SD2012	
Q705	8-729-620-05	TRANSISTOR 2SC2603-EF	
Q706	8-729-620-05	TRANSISTOR 2SC2603-EF	
Q801	8-729-900-89	TRANSISTOR DTC144ES	
Q802	8-729-900-61	TRANSISTOR DTA114ES	
Q803	8-729-821-04	TRANSISTOR 2SA1317-STU	
Q804	8-729-900-61	TRANSISTOR DTA114ES	
Q805	8-729-821-04	TRANSISTOR 2SA1317-STU	
Q806	8-729-821-04	TRANSISTOR 2SA1317-STU	
Q807	8-729-821-04	TRANSISTOR 2SA1317-STU	
Q808	8-729-900-61	TRANSISTOR DTA114ES	
Q809	8-729-821-04	TRANSISTOR 2SA1317-STU	
Q810	8-729-900-61	TRANSISTOR DTA114ES	
Q811	8-729-821-04	TRANSISTOR 2SA1317-STU	
Q812	8-729-821-04	TRANSISTOR 2SA1317-STU	
Q813	8-729-900-61	TRANSISTOR DTA114ES	
Q814	8-729-900-89	TRANSISTOR DTC144ES	
Q815	8-729-801-84	TRANSISTOR 2SB1013-4	
Q816	8-729-801-84	TRANSISTOR 2SB1013-4	
Q817	8-729-900-61	TRANSISTOR DTA114ES	
Q818	8-729-900-65	TRANSISTOR DTA144ES (E, EA, AUS)	
Q819	8-729-900-61	TRANSISTOR DTA114ES	
Q820	8-729-900-89	TRANSISTOR DTC144ES	
< RESISTOR >			
R101	1-249-421-11	CARBON 2.2K 5% 1/4W	

MAIN

PANEL

CONTROL (A)

CONTROL (B)

Ref. No.	Part No.	Description	Remark			Ref. No.	Part No.	Description	Remark		
R102	1-249-423-11	CARBON	3. 3K	5%	1/4W	R520	1-247-870-11	CARBON	43K	5%	1/4W
R103	1-247-887-00	CARBON	220K	5%	1/4W	R521	1-249-433-11	CARBON	22K	5%	1/4W (E, EA, AUS)
R104	1-249-421-11	CARBON	2. 2K	5%	1/4W (E, EA, AUS)	R522	1-249-433-11	CARBON	22K	5%	1/4W (E, EA, AUS)
R105	1-249-437-11	CARBON	47K	5%	1/4W (E, EA, AUS)	R524	1-249-417-11	CARBON	1K	5%	1/4W
R106	1-249-417-11	CARBON	1K	5%	1/4W	R525	1-249-429-11	CARBON	10K	5%	1/4W
R108	1-247-842-11	CARBON	3K	5%	1/4W	R526	1-249-429-11	CARBON	10K	5%	1/4W
R109	1-249-423-11	CARBON	3. 3K	5%	1/4W	R527	1-247-858-11	CARBON	13K	5%	1/4W
R110	1-249-428-11	CARBON	8. 2K	5%	1/4W	R528	1-247-862-11	CARBON	20K	5%	1/4W
R111	1-249-434-11	CARBON	27K	5%	1/4W	R529	1-249-417-11	CARBON	1K	5%	1/4W
R112	1-247-864-11	CARBON	24K	5%	1/4W	R530	1-249-429-11	CARBON	10K	5%	1/4W
R113	1-249-414-11	CARBON	560	5%	1/4W	R532	1-247-844-11	CARBON	3. 6K	5%	1/4W
R114	1-249-421-11	CARBON	2. 2K	5%	1/4W	R701	1-249-413-11	CARBON	470	5%	1/4W
R115	1-249-431-11	CARBON	15K	5%	1/4W	R702	1-249-413-11	CARBON	470	5%	1/4W
R116	1-249-421-11	CARBON	2. 2K	5%	1/4W	R703	1-249-422-11	CARBON	2. 7K	5%	1/4W
R117	1-249-429-11	CARBON	10K	5%	1/4W	R704	1-247-858-11	CARBON	13K	5%	1/4W
R118	1-249-421-11	CARBON	2. 2K	5%	1/4W	R705	1-249-429-11	CARBON	10K	5%	1/4W
R201	1-249-421-11	CARBON	2. 2K	5%	1/4W	R706	1-249-417-11	CARBON	1K	5%	1/4W
R202	1-249-423-11	CARBON	3. 3K	5%	1/4W	R707	1-247-850-11	CARBON	6. 2K	5%	1/4W
R203	1-247-887-00	CARBON	220K	5%	1/4W	R708	1-249-422-11	CARBON	2. 7K	5%	1/4W
R204	1-249-421-11	CARBON	2. 2K	5%	1/4W (E, EA, AUS)	R709	1-249-429-11	CARBON	10K	5%	1/4W
R205	1-249-437-11	CARBON	47K	5%	1/4W (E, EA, AUS)	R710	1-249-429-11	CARBON	10K	5%	1/4W
R206	1-249-417-11	CARBON	1K	5%	1/4W	R711	1-249-421-11	CARBON	2. 2K	5%	1/4W
R208	1-247-842-11	CARBON	3K	5%	1/4W	R712	1-249-432-11	CARBON	18K	5%	1/4W
R209	1-249-423-11	CARBON	3. 3K	5%	1/4W	R713	1-249-423-11	CARBON	3. 3K	5%	1/4W
R210	1-249-428-11	CARBON	8. 2K	5%	1/4W	R714	1-249-433-11	CARBON	22K	5%	1/4W
R211	1-249-434-11	CARBON	27K	5%	1/4W	R715	1-249-435-11	CARBON	33K	5%	1/4W
R212	1-247-864-11	CARBON	24K	5%	1/4W	R716	1-249-405-11	CARBON	100	5%	1/4W
R213	1-249-414-11	CARBON	560	5%	1/4W	R717	1-249-422-11	CARBON	2. 7K	5%	1/4W
R214	1-249-421-11	CARBON	2. 2K	5%	1/4W	R801	1-247-903-00	CARBON	1M	5%	1/4W
R215	1-249-431-11	CARBON	15K	5%	1/4W	R802	1-249-429-11	CARBON	10K	5%	1/4W
R216	1-249-421-11	CARBON	2. 2K	5%	1/4W	R803	1-249-425-11	CARBON	4. 7K	5%	1/4W
R217	1-249-429-11	CARBON	10K	5%	1/4W	R804	1-249-405-11	CARBON	100	5%	1/4W
R218	1-249-421-11	CARBON	2. 2K	5%	1/4W	R805	1-249-393-11	CARBON	10	5%	1/4W
R501	1-249-405-11	CARBON	100	5%	1/4W	R806	1-249-433-11	CARBON	22K	5%	1/4W
R502	1-249-405-11	CARBON	100	5%	1/4W	R807	1-249-433-11	CARBON	22K	5%	1/4W
R503	1-249-434-11	CARBON	27K	5%	1/4W	R808	1-249-417-11	CARBON	1K	5%	1/4W
R504	1-249-429-11	CARBON	10K	5%	1/4W	R809	1-249-433-11	CARBON	22K	5%	1/4W
R505	1-249-413-11	CARBON	470	5%	1/4W	R810	1-247-850-11	CARBON	6. 2K	5%	1/4W
R506	1-247-864-11	CARBON	24K	5%	1/4W	R811	1-249-433-11	CARBON	22K	5%	1/4W
R510	1-249-429-11	CARBON	10K	5%	1/4W	R812	1-249-430-11	CARBON	12K	5%	1/4W
R511	1-249-429-11	CARBON	10K	5%	1/4W	R813	1-249-429-11	CARBON	10K	5%	1/4W
R512	1-249-441-11	CARBON	100K	5%	1/4W	R814	1-249-429-11	CARBON	10K	5%	1/4W
R513	1-249-417-11	CARBON	1K	5%	1/4W	R815	1-249-434-11	CARBON	27K	5%	1/4W
R514	1-249-441-11	CARBON	100K	5%	1/4W	R816	1-249-429-11	CARBON	10K	5%	1/4W
R515	1-249-427-11	CARBON	6. 8K	5%	1/4W	R818	1-249-434-11	CARBON	27K	5%	1/4W
R516	1-249-413-11	CARBON	470	5%	1/4W	R819	1-249-429-11	CARBON	10K	5%	1/4W
R517	1-249-429-11	CARBON	10K	5%	1/4W	R820	1-249-421-11	CARBON	2. 2K	5%	1/4W
R518	1-249-413-11	CARBON	470	5%	1/4W	R821	1-249-421-11	CARBON	2. 2K	5%	1/4W
R519	1-249-431-11	CARBON	15K	5%	1/4W	R822	1-249-422-11	CARBON	2. 7K	5%	1/4W

MAIN **PANEL** **CONTROL (A)** **CONTROL (B)** **MD-A**

Ref. No.	Part No.	Description	Remark		
R823	1-249-422-11	CARBON	2.7K	5%	1/4W
R824	1-249-422-11	CARBON	2.7K	5%	1/4W
R825	1-249-425-11	CARBON	4.7K	5%	1/4W
R826	1-249-433-11	CARBON	22K	5%	1/4W
R827	1-249-429-11	CARBON	10K	5%	1/4W
R828	1-249-413-11	CARBON	470	5%	1/4W
R829	1-249-411-11	CARBON	330	5%	1/4W
R830	1-249-410-11	CARBON	270	5%	1/4W
R831	1-249-410-11	CARBON	270	5%	1/4W
R832	1-249-408-11	CARBON	180	5%	1/4W
R833	1-249-410-11	CARBON	270	5%	1/4W
R834	1-249-410-11	CARBON	270	5%	1/4W
R835	1-249-408-11	CARBON	180	5%	1/4W
R836	1-249-410-11	CARBON	270	5%	1/4W
R837	1-249-411-11	CARBON	330	5%	1/4W
R838	1-247-895-00	CARBON	470K	5%	1/4W
R839	1-247-895-00	CARBON	470K	5%	1/4W
R840	1-247-860-11	CARBON	16K	5%	1/4W
R841	1-249-431-11	CARBON	15K	5%	1/4W
R842	1-249-425-11	CARBON	4.7K	5%	1/4W
R843	1-247-862-11	CARBON	20K	5%	1/4W
R844	1-247-862-11	CARBON	20K	5%	1/4W
R845	1-249-425-11	CARBON	4.7K	5%	1/4W
R846	1-249-415-11	CARBON	680	5%	1/4W
R847	1-249-429-11	CARBON	10K	5%	1/4W
R848	1-249-415-11	CARBON	680	5%	1/4W
R849	1-249-429-11	CARBON	10K	5%	1/4W
R850	1-249-429-11	CARBON	10K	5%	1/4W
R851	1-249-437-11	CARBON	47K	5%	1/4W
R852	1-247-866-11	CARBON	30K	5%	1/4W
R853	1-247-866-11	CARBON	30K	5%	1/4W
R854	1-249-437-11	CARBON	47K	5%	1/4W
R855	1-247-872-11	CARBON	51K	5%	1/4W
R856	1-247-872-11	CARBON	51K	5%	1/4W
R857	1-247-872-11	CARBON	51K	5%	1/4W
R858	1-247-872-11	CARBON	51K	5%	1/4W
R859	1-249-405-11	CARBON	100	5%	1/4W
R860	1-249-405-11	CARBON	100	5%	1/4W
R899	1-249-393-11	CARBON	10	5%	1/4W
R901	1-249-407-11	CARBON	150	5%	1/4W
R902	1-249-409-11	CARBON	220	5%	1/4W
R903	1-249-411-11	CARBON	330	5%	1/4W
R904	1-249-413-11	CARBON	470	5%	1/4W
R905	1-249-415-11	CARBON	680	5%	1/4W
R906	1-249-417-11	CARBON	1K	5%	1/4W
R907	1-249-420-11	CARBON	1.8K	5%	1/4W
R908	1-249-424-11	CARBON	3.9K	5%	1/4W
R909	1-249-407-11	CARBON	150	5%	1/4W

Ref. No.	Part No.	Description	Remark		
R910	1-249-409-11	CARBON	220	5%	1/4W
R911	1-249-411-11	CARBON	330	5%	1/4W
R912	1-249-413-11	CARBON	470	5%	1/4W
R913	1-249-415-11	CARBON	680	5%	1/4W
R914	1-249-417-11	CARBON	1K	5%	1/4W
R915	1-249-426-11	CARBON	5.6K	5%	1/4W
R916	1-249-430-11	CARBON	12K	5%	1/4W
R917	1-249-421-11	CARBON	2.2K	5%	1/4W
< VARIABLE RESISTOR >					
RV101	1-241-630-11	RES. ADJ. CARBON 10K			
RV201	1-241-630-11	RES. ADJ. CARBON 10K			
< SWITCH >					
S901	1-572-378-11	SWITCH, SLIDE (DIRECTION)			
S902	1-572-378-11	SWITCH, SLIDE (DOLBY NR)			
S903	1-554-303-21	SWITCH, TACTILE (A STOP)			
S904	1-554-303-21	SWITCH, TACTILE (A FWD)			
S905	1-554-303-21	SWITCH, TACTILE (A REV)			
S906	1-554-303-21	SWITCH, TACTILE (B REW)			
S907	1-554-303-21	SWITCH, TACTILE (B FF)			
S908	1-554-303-21	SWITCH, TACTILE (B REC)			
S909	1-554-303-21	SWITCH, TACTILE (DUB HIGH SPEED)			
S910	1-554-303-21	SWITCH, TACTILE (DUB NORMAL SPEED)			
S911	1-554-303-21	SWITCH, TACTILE (CD SYNCHRO)			
S912	1-554-303-21	SWITCH, TACTILE (B STOP)			
S913	1-554-303-21	SWITCH, TACTILE (B PAUSE)			
S914	1-554-303-21	SWITCH, TACTILE (B FWD)			
S915	1-554-303-21	SWITCH, TACTILE (B RVS)			
S916	1-554-303-21	SWITCH, TACTILE (B REC MUTE)			
S917	1-554-303-21	SWITCH, TACTILE (A REW)			
S918	1-554-303-21	SWITCH, TACTILE (A FF)			
< VIBRATOR >					
X801	1-577-358-21	VIBRATOR, CERAMIC (4MHz)			

*	A-2006-399-A	MD-A BOARD, COMPLETE			

< CAPACITOR >					
C11	1-163-131-00	CERAMIC CHIP	390PF	5%	50V
C12	1-136-157-00	FILM	0.022uF	5%	50V
C13	1-124-234-00	ELECT	22uF	20%	16V
C18	1-163-117-00	CERAMIC CHIP	100PF	5%	50V
C21	1-163-131-00	CERAMIC CHIP	390PF	5%	50V
C22	1-136-157-00	FILM	0.022uF	5%	50V
C23	1-124-234-00	ELECT	22uF	20%	16V
C28	1-163-117-00	CERAMIC CHIP	100PF	5%	50V

MD-A

MD-B

Ref. No.	Part No.	Description	Remark
C31	1-124-234-00	ELECT 22uF	20% 16V
C32	1-124-234-00	ELECT 22uF	20% 16V
C72	1-124-499-11	ELECT, NONPOLAR 1uF	20% 50V

< CONNECTOR >

* CNJ31	1-580-782-11	CONNECTOR, BOARD TO BOARD	
* CNJ72	1-580-411-11	SOCKET, CONNECTOR 4P	
* CNP32	1-580-772-11	PIN, CONNECTOR (PC BOARD) 4P	
* CNP71	1-564-719-11	PIN, CONNECTOR (SMALL TYPE) 3P	

< IC >

IC31	8-759-106-02	IC uPC4570G2	
------	--------------	--------------	--

< CHIP JUMPER >

JW1	1-216-295-00	METAL CHIP 0	5% 1/10W
JW51	1-216-296-00	METAL CHIP 0	5% 1/8W
JW52	1-216-296-00	METAL CHIP 0	5% 1/8W
JW53	1-216-296-00	METAL CHIP 0	5% 1/8W
JW54	1-216-296-00	METAL CHIP 0	5% 1/8W

< TRANSISTOR >

Q71	8-729-602-36	TRANSISTOR 2SA1602	
-----	--------------	--------------------	--

< RESISTOR >

R11	1-216-099-00	METAL CHIP 120K	5% 1/10W
R12	1-216-025-00	METAL CHIP 100	5% 1/10W
R13	1-216-100-00	METAL GLAZE 130K	5% 1/10W
R14	1-216-067-00	METAL CHIP 5.6K	5% 1/10W
R21	1-216-099-00	METAL CHIP 120K	5% 1/10W
R22	1-216-025-00	METAL CHIP 100	5% 1/10W
R23	1-216-100-00	METAL GLAZE 130K	5% 1/10W
R24	1-216-067-00	METAL CHIP 5.6K	5% 1/10W
R31	1-216-033-00	METAL CHIP 220	5% 1/10W
R32	1-216-033-00	METAL CHIP 220	5% 1/10W
R71	1-216-082-00	METAL GLAZE 24K	5% 1/10W
R72	1-216-081-00	METAL CHIP 22K	5% 1/10W
R73	1-216-089-00	METAL CHIP 47K	5% 1/10W
R74	1-216-089-00	METAL CHIP 47K	5% 1/10W

< VARIABLE RESISTOR >

RV11	1-238-012-11	RES, ADJ. CARBON 1K	
RV21	1-238-012-11	RES, ADJ. CARBON 1K	
RV71	1-238-016-11	RES, ADJ. CARBON 10K	
RV72	1-238-016-11	RES, ADJ. CARBON 10K	

Ref. No.	Part No.	Description	Remark
*	A-2006-400-A	MD-B BOARD, COMPLETE	

< CAPACITOR >

C11	1-163-131-00	CERAMIC CHIP 390PF	5% 50V
C12	1-136-157-00	FILM 0.022uF	5% 50V
C13	1-124-234-00	ELECT 22uF	20% 16V
C14	1-136-273-91	FILM 75PF	5% 630V
C15	1-164-080-11	CERAMIC 390PF	10% 50V
C17	1-163-103-00	CERAMIC CHIP 27PF	5% 50V
C18	1-163-117-00	CERAMIC CHIP 100PF	5% 50V
C21	1-163-131-00	CERAMIC CHIP 390PF	5% 50V
C22	1-136-157-00	FILM 0.022uF	5% 50V
C23	1-124-234-00	ELECT 22uF	20% 16V
C24	1-136-273-91	FILM 75PF	5% 630V
C25	1-164-080-11	CERAMIC 390PF	10% 50V
C27	1-163-103-00	CERAMIC CHIP 27PF	5% 50V
C28	1-163-117-00	CERAMIC CHIP 100PF	5% 50V
C31	1-124-234-00	ELECT 22uF	20% 16V
C32	1-124-234-00	ELECT 22uF	20% 16V
C33	1-124-234-00	ELECT 22uF	20% 16V
C51	1-163-019-00	CERAMIC CHIP 0.0068uF	10% 50V
C52	1-163-019-00	CERAMIC CHIP 0.0068uF	10% 50V
C53	1-163-022-00	CERAMIC CHIP 0.012uF	10% 50V
C54	1-136-559-11	FILM 0.0047uF	5% 630V
C56	1-164-505-11	CERAMIC CHIP 2.2uF	16V
C57	1-164-346-11	CERAMIC CHIP 1uF	16V
C58	1-163-024-00	CERAMIC CHIP 0.018uF	10% 50V
C72	1-124-499-11	ELECT, NONPOLAR 1uF	20% 50V

< CONNECTOR >

* CNJ31	1-580-782-11	CONNECTOR, BOARD TO BOARD	
* CNJ33	1-580-782-11	CONNECTOR, BOARD TO BOARD	
* CNJ72	1-580-411-11	SOCKET, CONNECTOR 4P	
* CNP32	1-580-781-11	PIN, CONNECTOR (PC BOARD) 7P	
* CNP71	1-564-719-11	PIN, CONNECTOR (SMALL TYPE) 3P	

< DIODE >

D31	8-719-988-62	DIODE 1SS355	
-----	--------------	--------------	--

< IC >

IC31	8-759-106-02	IC uPC4570G2	
------	--------------	--------------	--

< CHIP JUMPER >

JW1	1-216-296-00	METAL CHIP 0	5% 1/8W
JW2	1-216-295-00	METAL CHIP 0	5% 1/10W
JW3	1-216-295-00	METAL CHIP 0	5% 1/10W
JW4	1-216-295-00	METAL CHIP 0	5% 1/10W
JW5	1-216-295-00	METAL CHIP 0	5% 1/10W

MD-B

SW-A

SW-B

Ref.No.	Part No.	Description	Remark		
JW6	1-216-295-00	METAL CHIP	0	5%	1/10W
JW7	1-216-295-00	METAL CHIP	0	5%	1/10W
JW52	1-216-296-00	METAL CHIP	0	5%	1/8W
JW53	1-216-296-00	METAL CHIP	0	5%	1/8W
JW54	1-216-296-00	METAL CHIP	0	5%	1/8W
JW55	1-216-296-00	METAL CHIP	0	5%	1/8W
JW56	1-216-296-00	METAL CHIP	0	5%	1/8W
JW57	1-216-296-00	METAL CHIP	0	5%	1/8W
JW58	1-216-296-00	METAL CHIP	0	5%	1/8W
JW59	1-216-296-00	METAL CHIP	0	5%	1/8W
JW60	1-216-296-00	METAL CHIP	0	5%	1/8W
JW61	1-216-296-00	METAL CHIP	0	5%	1/8W
< COIL >					
L11	1-410-780-11	INDUCTOR	27mH		
L21	1-410-780-11	INDUCTOR	27mH		
< TRANSISTOR >					
Q51	8-729-808-01	TRANSISTOR	2SD1622-S		
Q52	8-729-808-01	TRANSISTOR	2SD1622-S		
Q53	8-729-808-01	TRANSISTOR	2SD1622-S		
Q71	8-729-602-36	TRANSISTOR	2SA1602		
< RESISTOR >					
R11	1-216-099-00	METAL CHIP	120K	5%	1/10W
R12	1-216-025-00	METAL CHIP	100	5%	1/10W
R13	1-216-100-00	METAL GLAZE	130K	5%	1/10W
R14	1-216-067-00	METAL CHIP	5.6K	5%	1/10W
R15	1-249-430-11	CARBON	12K	5%	1/4W
R21	1-216-099-00	METAL CHIP	120K	5%	1/10W
R22	1-216-025-00	METAL CHIP	100	5%	1/10W
R23	1-216-100-00	METAL GLAZE	130K	5%	1/10W
R24	1-216-067-00	METAL CHIP	5.6K	5%	1/10W
R25	1-249-430-11	CARBON	12K	5%	1/4W
R31	1-216-033-00	METAL CHIP	220	5%	1/10W
R32	1-216-033-00	METAL CHIP	220	5%	1/10W
R41	1-249-393-11	CARBON	10	5%	1/4W
R42	1-249-393-11	CARBON	10	5%	1/4W
R51	1-216-075-00	METAL CHIP	12K	5%	1/10W
R52	1-216-075-00	METAL CHIP	12K	5%	1/10W
R53	1-216-073-00	METAL CHIP	10K	5%	1/10W
R54	1-216-309-00	METAL CHIP	5.6	5%	1/10W
R55	1-216-309-00	METAL CHIP	5.6	5%	1/10W
R56	1-216-298-00	METAL CHIP	2.2	5%	1/10W
R71	1-216-082-00	METAL GLAZE	24K	5%	1/10W
R72	1-216-081-00	METAL CHIP	22K	5%	1/10W
R73	1-216-089-00	METAL CHIP	47K	5%	1/10W
R74	1-216-089-00	METAL CHIP	47K	5%	1/10W

Ref.No.	Part No.	Description	Remark		
< VARIABLE RESISTOR >					
RV11	1-238-012-11	RES. ADJ. CARBON 1K			
RV12	1-238-551-11	RES. ADJ. CARBON 220K			
RV21	1-238-012-11	RES. ADJ. CARBON 1K			
RV22	1-238-551-11	RES. ADJ. CARBON 220K			
RV71	1-238-016-11	RES. ADJ. CARBON 10K			
RV72	1-238-016-11	RES. ADJ. CARBON 10K			
< RELAY >					
RY31	1-515-726-11	RELAY			
< COIL >					
T51	1-406-419-11	COIL, BIAS OSCILLATION			

*	1-634-841-14	SW-A BOARD			

	3-343-419-01	HOLDER (S SENSER A)			
< CONNECTOR >					
* CNP81	1-568-852-11	SOCKET, CONNECTOR 9P			
< IC >					
IC81	8-719-710-03	DIODE NJL5165K-B			
< RESISTOR >					
R84	1-249-417-11	CARBON	1K	5%	1/4W
R85	1-249-408-11	CARBON	180	5%	1/4W
< SWITCH >					
S81	1-571-958-11	SWITCH, PUSH (1 KEY) (STOP)			
S82	1-571-281-21	SWITCH, LEAF (70EQ)			
S86	1-571-281-21	SWITCH, LEAF (HALF)			

*	1-634-841-14	SW-B BOARD			

	3-343-419-01	HOLDER (S SENSER A)			
< CONNECTOR >					
* CNP81	1-568-852-11	SOCKET, CONNECTOR 9P			
< IC >					
IC81	8-719-710-03	DIODE NJL5165K-B			

Ref. No.	Part No.	Description	Remark
----------	----------	-------------	--------

< RESISTOR >

R81	1-249-414-11	CARBON	560 5% 1/4W
R82	1-247-818-11	CARBON	300 5% 1/4W
R83	1-247-834-11	CARBON	1.3K 5% 1/4W
R84	1-249-417-11	CARBON	1K 5% 1/4W
R85	1-249-408-11	CARBON	180 5% 1/4W

< SWITCH >

S81	1-571-958-11	SWITCH, PUSH (1 KEY) (STOP)	
S82	1-571-281-21	SWITCH, LEAF (70EQ)	
S83	1-571-281-21	SWITCH, LEAF (METAL)	
S84	1-571-281-21	SWITCH, LEAF (REC A)	
S85	1-571-281-21	SWITCH, LEAF (REC B)	

S86	1-571-281-21	SWITCH, LEAF (HALF)	
-----	--------------	---------------------	--

MISCELLANEOUS

57	1-590-237-11	WIRE, FLAT TYPE (19 CORE)	
71	1-690-906-11	WIRE (FLAT TYPE) (9 CORE)	
121	1-638-983-11	MOTOR FLEXIBLE BOARD	
HP901	A-2003-837-A	BASE ASSY, HEAD (PB) (DECK A)	
HRPE901A	2003-838-A	BASE ASSY, HEAD (REC/PB/ERASE) (DECK B)	

M901A	X-3359-417-1	MOTOR ASSY (CAPSTAN) (DECK A)	
M901B	X-3359-417-1	MOTOR ASSY (CAPSTAN) (DECK B)	
M902A	X-3363-501-1	MOTOR ASSY (REEL) (DECK A)	
M902B	X-3363-501-1	MOTOR ASSY (REEL) (DECK B)	

ACCESSORIES & PACKING MATERIALS

*	3-350-154-01	CUSHION	
	4-920-940-01	SHEET (A), PROTECTION	

HARDWARE LIST

#1	7-685-646-79	SCREW +BVTP 3X8 TYPE2 N-S
#2	7-685-645-79	SCREW +BVTP 3X6 TYPE2 N-S
#3	7-621-773-93	SCREW (PANEL 2.6 TP2)
#4	7-621-775-00	SCREW +B 2.6X3
#5	7-627-556-08	SCREW +P 2.6X2.8

TC-D507

SONY SERVICE MANUAL

*AEP Model
UK Model
E model
Australian Model
East European Model*

CORRECTION-1

Correct your service manual as shown below.

___ (Under line) : indicates corrected portion.

Page	INCORRECT			CORRECT		
	<u>Ref. No.</u>	<u>Part No.</u>	<u>Description</u>	<u>Ref. No.</u>	<u>Part No.</u>	<u>Description</u>
22	151	X-3363-790-1	CHASSIS ASSY, MECHANICAL (DECK A)	151	<u>X-3359-415-1</u>	CHASSIS ASSY, MECHANICAL (DECK A)

(SPM-95045)